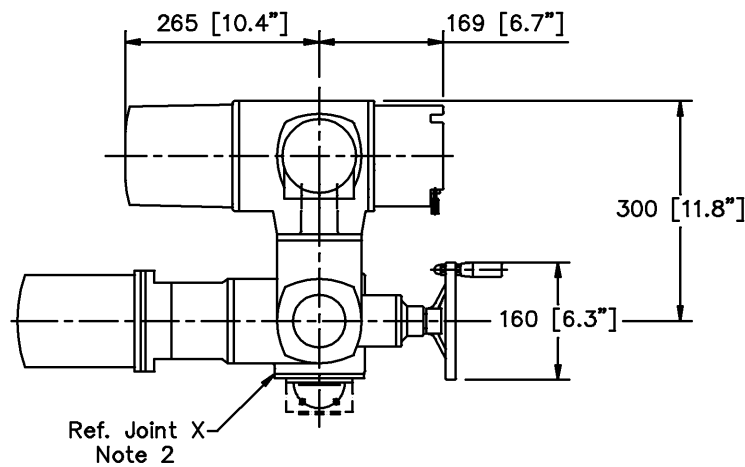
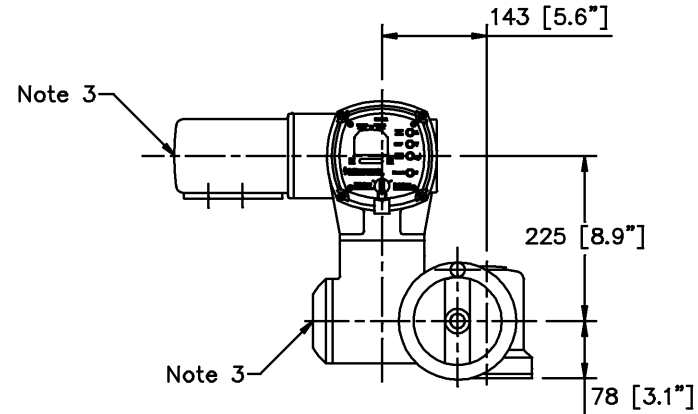


Note 3

(2) 3/4"
Conduit Entries
(1) 1 1/4"



Ref. Joint X
Note 2



Note 3

Note 3

Notes:

1. Metric tolerance per ISO 2768-m.
Dimensions in brackets [] are in inches and rounded to one decimal place.
2. See appropriate drive drawing.
3. Seven inch minimum clearance recommended for removal of access cover and equipment adjustment.
4. Consult factory for more detailed dimensionals.
5. Actuator dimensions will not exceed drawing dimensions.

| | | | | | | |
|-------------------------------|----------------------------------------------------|-----------|-------------------------|----------------|----------------|---|
| suma ACTUATORS INC. | SA (R) 07.1-07.5 AUMATIC CUSTOMER CVR. 100MM | | 100MM CUSTOMER COVER | SP 03/05/08 | RF 03/05/08 | 2 |
| | DESCRIPTION | BY / DATE | APP / DATE | REV | | |
| | REV. NO. | DKT00800 | | | | |